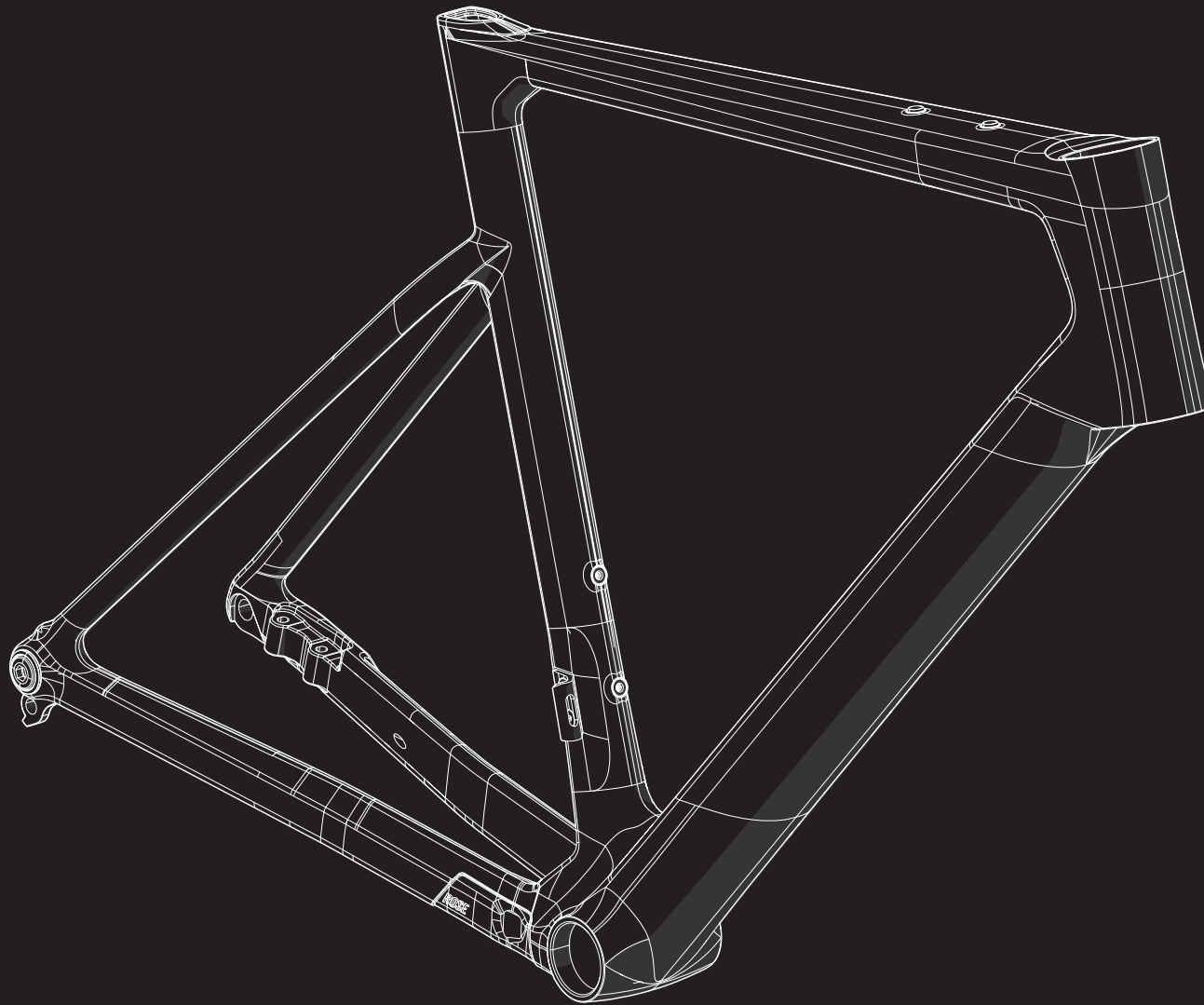


ROSE



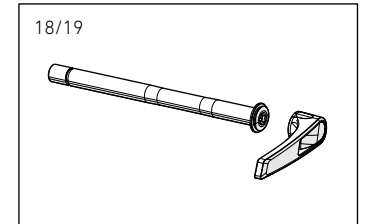
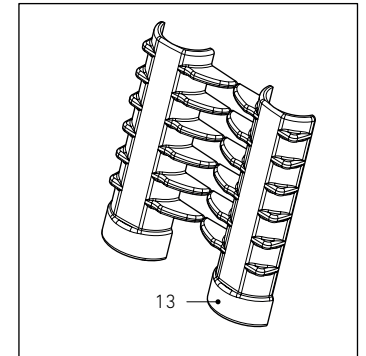
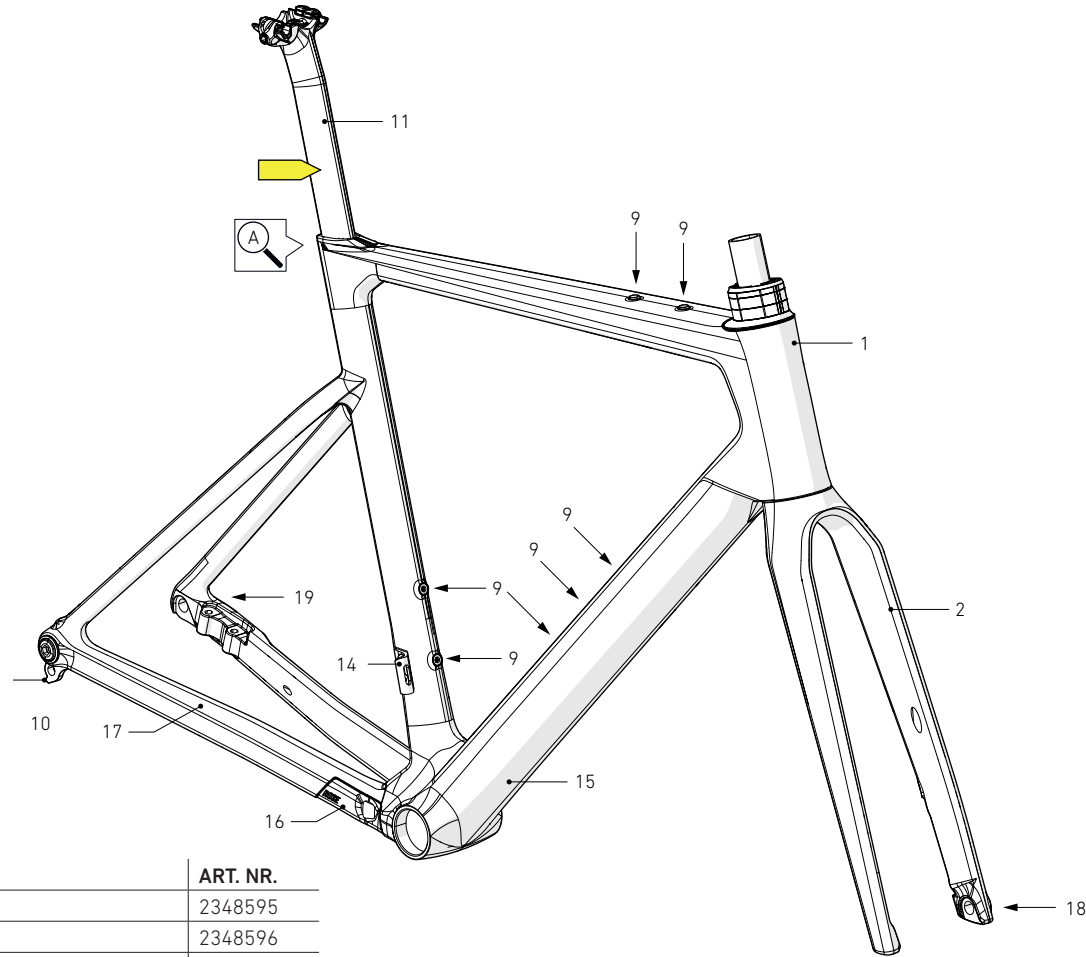
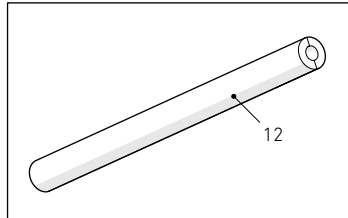
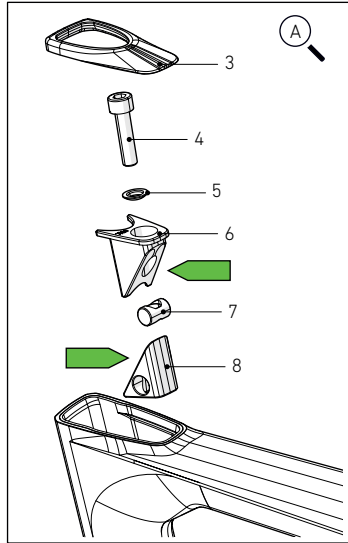
ANY QUESTIONS?
technik@rosebikes.com

ROSE Bikes GmbH
Schersweide 4
46395 Bocholt, Germany

B A C K R O A D ^{FF}

FRAME DETAILS

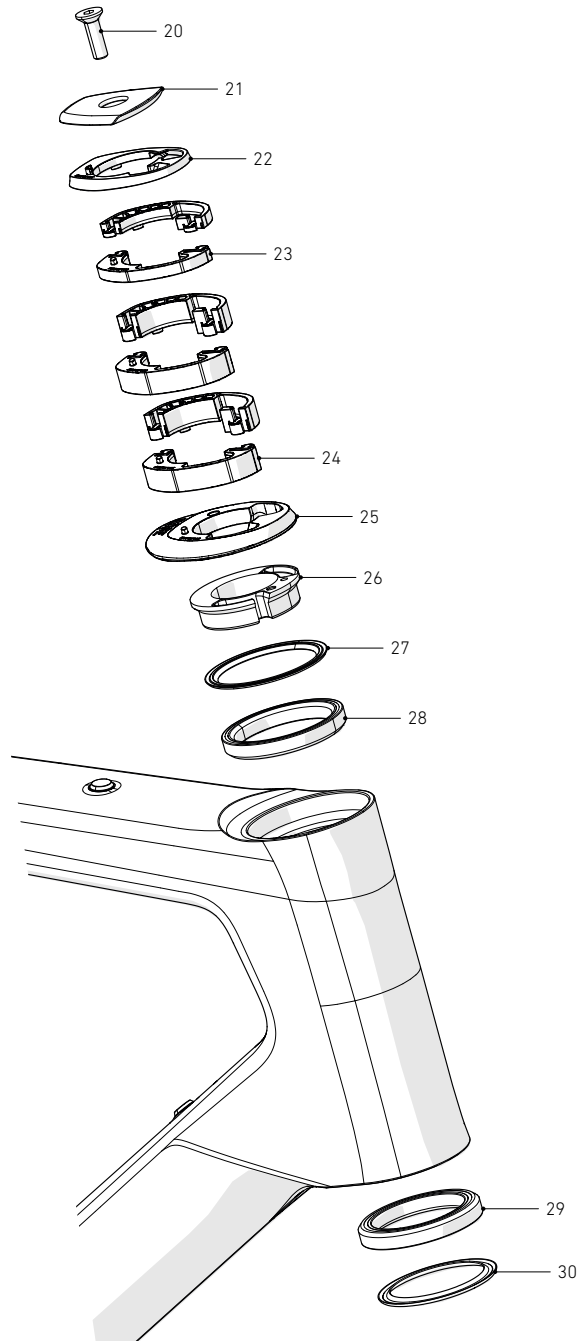
BACKROAD FF FRAME DETAILS



| POS. | DESCRIPTION | SPECIFICATIONS | ART. NR. |
|------|----------------------|------------------------|-----------|
| 1 | frame Backroad FF | color: pistachio | 2348595 |
| | | color: supersonic grey | 2348596 |
| | | color: rotten candy | 2348597 |
| 2 | fork Backroad FF | color: pistachio | 2348603 |
| | | color: supersonic grey | 2348604 |
| | | color: rotten candy | 2348605 |
| 3 | clamp cover | rubber/TPU | 2336586 |
| 4 | seatpost clamp screw | screw M6x25 mm | 2336587 |
| 5 | spacer | | 2336590 |
| 6 | upper clampblock | | 2336588 |
| 7 | lower clampblock | | 2336589 |
| 8 | barrel nut | | 2336591 |
| 9 | bottle screw | M5x16 mm | 2336592 |
| 10 | R/D hanger | | 230116501 |
| 11 | seat post | apply assembly paste | 231072701 |
| | saddle clamp | for 7x9.6 mm rails | 234332201 |
| | saddle clamp | for 7x7 mm rails | 228419301 |

| POS. | DESCRIPTION | SPECIFICATIONS | ART. NR. |
|------|-------------------------------|-------------------------------------|-----------|
| 12 | PU-tube for internal cables | | 2336585 |
| 13 | Di2 battery holder | | 2336584 |
| 14 | front derailleur hanger | | 2336582 |
| | front derailleur hanger screw | | 2336583 |
| 15 | down tube protector | | 2336594 |
| 16 | chain suck plate | | 2336596 |
| 17 | chainstay protector | | 2336595 |
| 18 | front wheel axle | 12x100 mm Length 121mm, Pitch 1.5 | 234477401 |
| 19 | rear wheel axle | 12x142 mm Length 167.7mm, Pitch 1.0 | 233676401 |
| | GREASE | Motorex Bike Grease 2000 100 g | 49208600 |
| | CARBON ASSEMBLY PASTE | Motorex Carbon Paste 100g | 1487765 |

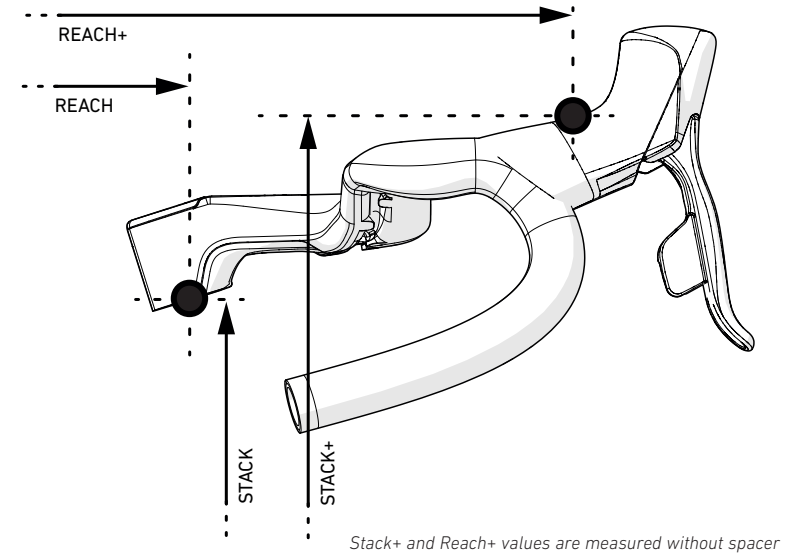
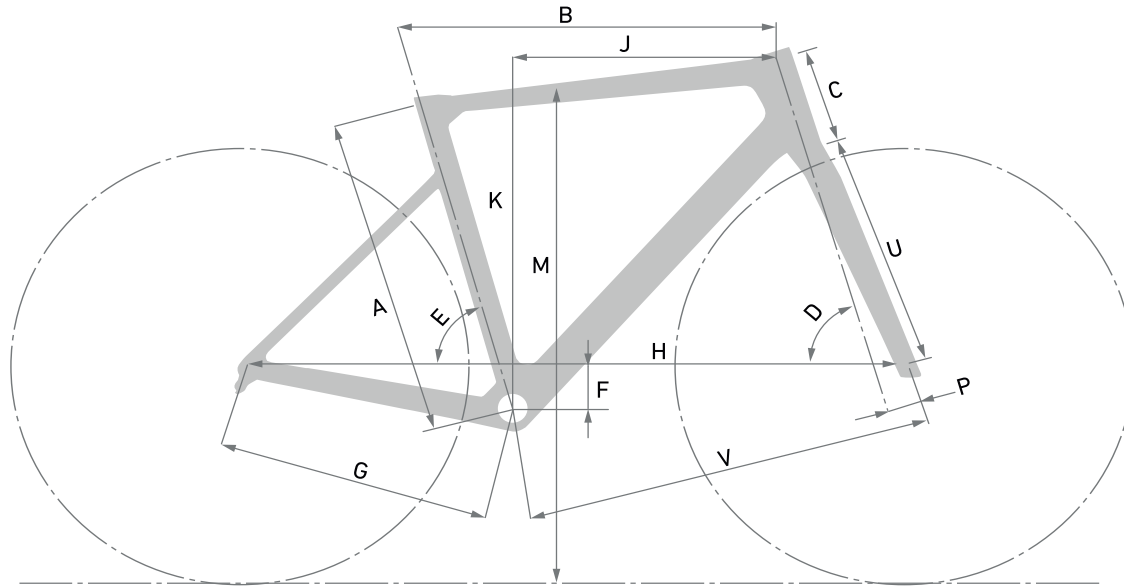
BACKROAD^{FF} FRAME DETAILS



HEADSET DETAILS

| POS. | DESCRIPTION | SPECIFICATIONS | ART. NR. | |
|------|-----------------------|----------------|----------|---------|
| 20 | top cap screw | DIN7991M6X30A2 | 2314823 | 2335936 |
| 21 | top cap | | | |
| 22 | top cover | | 2346730 | |
| 23 | 1/2 spacer, 5 mm | | | |
| 24 | 1/2 spacer, 10 mm | | | |
| 25 | headtube cover | | 2346731 | |
| 26 | compression ring | | 2341678 | |
| 27 | upper headset sealing | | | |
| 28 | upper bearing | | 2337920 | |
| 29 | lower bearing | | 2337921 | |
| 30 | lower headset sealing | | | |

BACKROAD ^{FF}



FRAME GEOMETRY

| | | XS | S | M | ML | L | XL |
|--------------------------------------|----|----------------------|--------------------|--------------------|--------------------|--------------------|--------------------|
| SEATTUBE LENGTH [MM] | A | 450 | 482 | 505 | 525 | 550 | 585 |
| TOPTUBE LENGTH HORIZONTAL [MM] | B | 505 | 527 | 546 | 564 | 582 | 603 |
| HEADTUBE LENGTH [MM] | C | 100 | 118 | 134 | 153 | 171 | 195 |
| HEAD TUBE ANGLE | D | 71,25° | 71,75° | 72,00° | 72,25° | 72,5° | 72,5° |
| SEAT TUBE ANGLE | E | 76,25 (eff.76,25) | 75,5 (eff.75,1) | 75,0 (eff.74,7) | 74,5 (eff.74,1) | 74,5 (eff.74,1) | 74,5 (eff.74,1) |
| BB DROP [MM] | F | 75 | 75 | 75 | 72 | 72 | 72 |
| REAR CENTER [MM] (CHAINSTAY LENGTH) | G | 420 | 420 | 420 | 420 | 420 | 420 |
| WHEELBASE [MM] | H | 993 | 1005 | 1016 | 1030 | 1046 | 1067 |
| REACH [MM] | J | 377 | 387 | 396 | 405 | 418 | 432 |
| STACK [MM] | K | 523 | 542 | 558 | 574 | 592 | 616 |
| REACH * [MM] | J1 | 547 | 557 | 576 | 585 | 608 | 622 |
| STACK + [MM] | K1 | 608 | 627 | 643 | 659 | 677 | 701 |
| STAND-OVER HEIGHT (100 MM BEFORE BB) | M | 751 | 777 | 796 | 817 | 837 | 868 |
| FORK OFFSET [MM] | P | 48 | 48 | 48 | 48 | 48 | 48 |
| FORK LENGTH [MM] | U | 390 | 390 | 390 | 390 | 390 | 390 |
| FRONT CENTER [MM] | V | 585 | 596 | 608 | 620 | 636 | 658 |
| STACK TO REACH RATIO | | 1.37 | 1.38 | 1.39 | 1.40 | 1.40 | 1.41 |

FRAME INTERFACES

| | |
|---------------------|---|
| BOTTOM BRACKET | Pressfit BB86 / DUB Wide |
| FRONT WHEEL AXLE | 12x100mm Length 121mm, Pitch 1.5 (234477401) |
| REAR WHEEL AXLE | 12x142mm Length 167.7mm, Pitch 1.0 (233676401) |
| FRONT BRAKE MOUNT | 140mm |
| REAR BRAKE MOUNT | 140mm |
| Ø BRAKE DISC | 140 mm, with use of an adapter max. 160 mm |
| Ø SEATPOST | D-Shape / also compatible with 0 mm Offset (234217101) and 14 mm Offset (234217102) |
| MAX. TIRE SIZE | 45mm |
| MAX. CHAINRING SIZE | 1x: 50 / 2x: 48-31T |
| BOTTLE CAGE | yes, 2x |

MAX SYSTEM WEIGHT (RIDER + BICYCLE + CLOTHING + GEAR + LUGGAGE): 120 KG
 INTENDED USE: DIN EN 17406 CATEGORY 2