

# ROSE



**ANY QUESTIONS?**

[technik@rosebikes.com](mailto:technik@rosebikes.com)

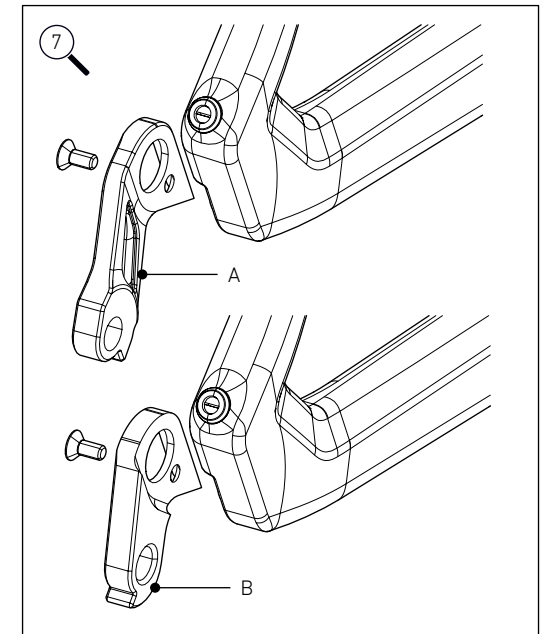
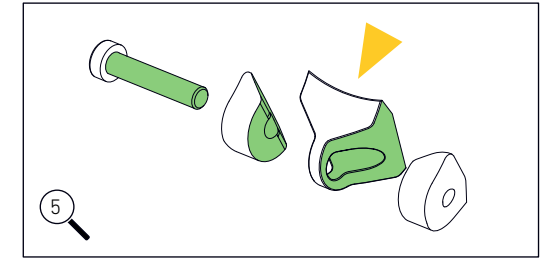
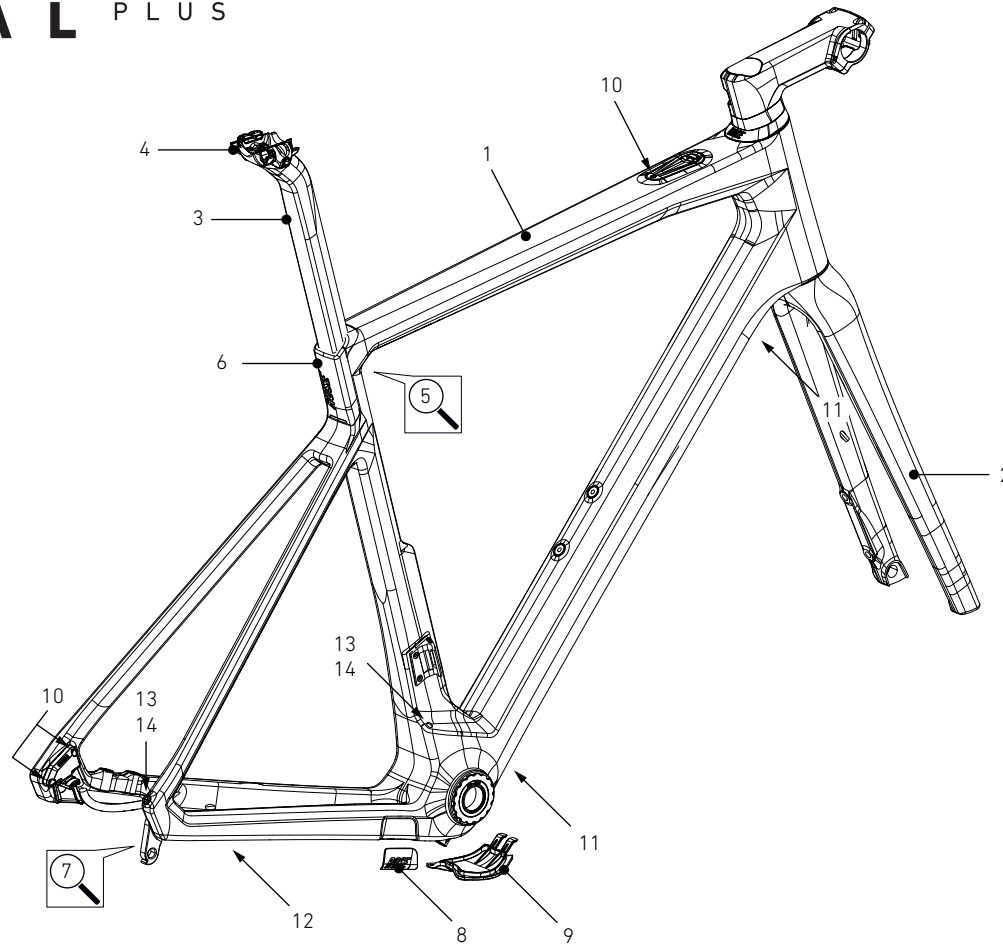
ROSE Bikes GmbH  
Schersweide 4  
46395 Bocholt, Germany

**R E V E A L** PLUS

**FRAME DETAILS**

# REVEAL PLUS

## FRAME DETAILS

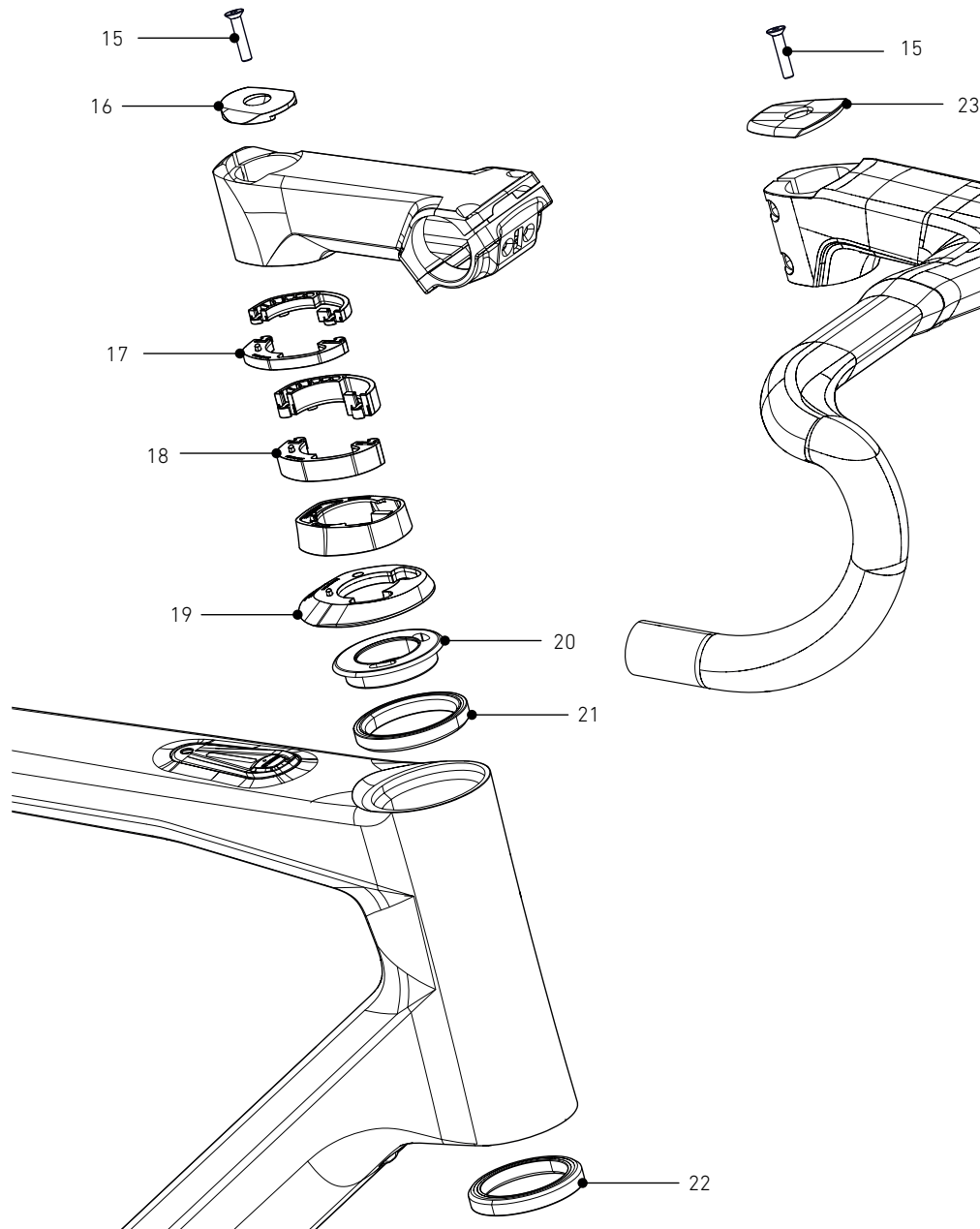


POS.	DESCRIPTION	SPECIFICATIONS	ART. NR.
1	frame	color: borealis green	2310728
		color: matt carbon / gold	2317054
2	fork	color: borealis green	2310729
		color: matt carbon	2317055
3	seatpost	490 mm length / 25 mm setback	2297790
		400 mm length / 8 mm setback	2310681
4	saddle clamp	Ø 7 mm rail	2284193
5	seatpost clamp	torque: max. 5 Nm	2289345
6	seatpost clamp cover		2289340
7	derailleur hanger	A: direct type (Shimano) incl. M4 x 8 screw	2311033
		B: regular type (Sram) incl. M4 x 8 screw	2321686

POS.	DESCRIPTION	SPECIFICATIONS	ART. NR.
8	chainsuck protector		2321681
9	battery cover	incl. 2x M4x10mm screw	2321677
10	screw	M3x10 mm (DIN 7991)	2318923
11	screw	M5x10 mm (DIN7380-2)	2311030
12	cable guide		2319312
13	Shimano Di2 plug		2289347
14	SRAM AXS plug		2198822
		cable connector plug	2330969
	 GREASE	Motorex Bike Grease 2000 100 g	49208600
	 CARBON ASSEMBLY PASTE	for example DYNAMIC, Art. Nr. 25377201	

# REVEAL PLUS

## FRAME DETAILS

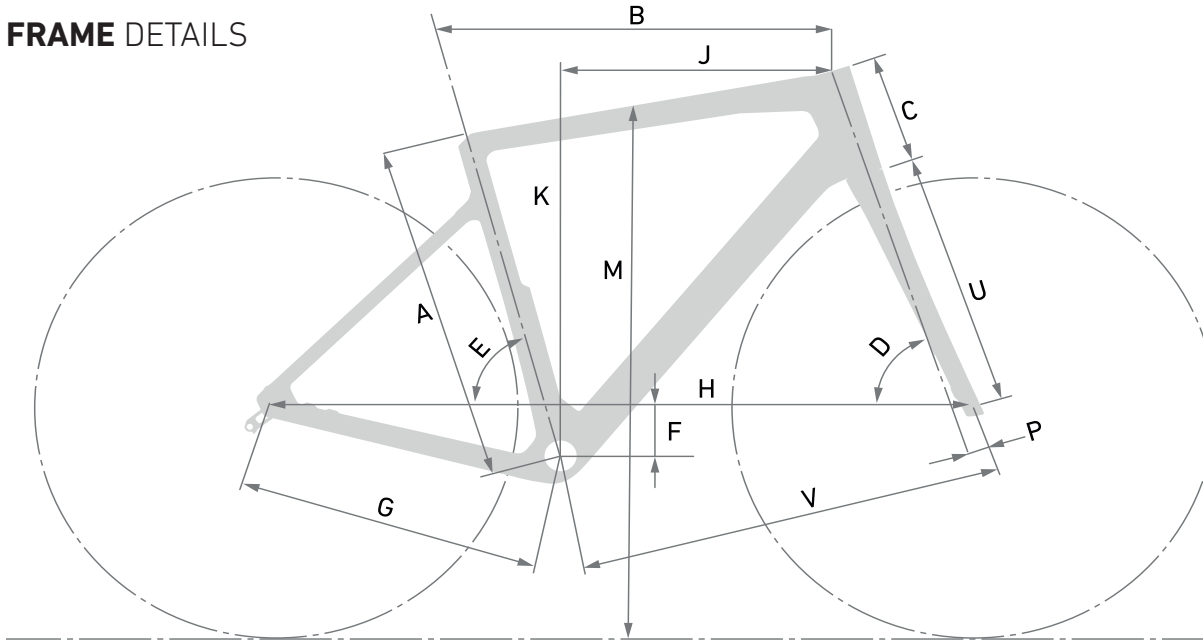


## HEADSET DETAILS

POS.	DESCRIPTION	SPECIFICATIONS	ART. NR.
headset for square stem			
15	countersunk head screw	DIN7991, M6 X 30 mm	2292459
16	top cap	also available individually, art. nr. 2316614	
17	spacer		
18	spacer		
19	headtube cover		
20	compression ring	Ø1 1/8"	
21	upper bearing	42 x 52 x 7 mm	
22	lower bearing	40 x 52 x 7 mm, R1	
headset for one piece cockpit			
15	countersunk head screw	DIN7991, M6 X 30 mm	2319196
17	spacer		
18	spacer		
19	headtube cover		
20	compression ring	Ø1 1/8"	
21	upper bearing	42 x 52 x 7 mm	
22	lower bearing	40 x 52 x 7 mm, R1	
23	top cap	only for one piece cockpit	2318265

# REVEAL PLUS

## FRAME DETAILS



## FRAME GEOMETRY

		XS	S	M	L	XL
SEATTUBE LENGTH [MM]	A	445	478	505	537	576
TOPTUBE LENGTH HORIZONTAL [MM]	B	507	530	549	572	598
HEADTUBE LENGTH [MM]	C	120	140	162	187	215
HEAD TUBE ANGLE	D	71°	72°	73°	73°	73°
SEAT TUBE ANGLE	E	75,5°	74,75°	74,5°	74°	73,5°
BB DROP [MM]	F	75		72		
REAR CENTER [MM] (CHAINSTAY LENGTH) [MM]	G	412	412	415	417	418
WHEELBASE [MM]	H	981	984	1000	1020	1042
REACH [MM]	J	368	377	388	399	411
STACK [MM]	K	537	559	581	605	632
STAND-OVER HEIGHT (100 MM BEFORE BB)	M	750	775	802	828	861
FORK LENGTH [MM]	U	387				
FRONT CENTER [MM]	V	581	588	596	614	634
STACK TO REACH RATIO		1,46	1,48	1,50	1,52	1,54
FORK OFFSET [MM]	P	46				

## FRAME INTERFACES

REAR WHEEL AXLE	12 x 148 mm, ROSE Art. Nr.: 2305768
REAR BRAKE MOUNT	Flatmount 160 mm
MAX Ø DISC	160 mm only!
Ø SEATPOST	D-shape
MAX. TIRE SIZE	(max. 33 mm)
FRONT DERAILLEUR MOUNT	only 2by max 52/36
BOTTLE CAGE	yes, 2x
MAX. TIRE WIDTH	33 mm
REAR RACK MOUNT	no!

## FORK INTERFACES

FRONT WHEEL AXLE	12 x 100 mm: ROSE Art. Nr.: 227585701
FRONT BRAKE MOUNT	Flatmount 160 mm - 180 mm
MAX Ø DISC	180 mm
MAX. TIRE WIDTH	33 mm
BOTTLE CAGE	no!

MAX SYSTEM WEIGHT (RIDER + BICYCLE + CLOTHING + GEAR + LUGGAGE): 110 KG  
 INTENDED USE: DIN 17406 CATEGORY 6