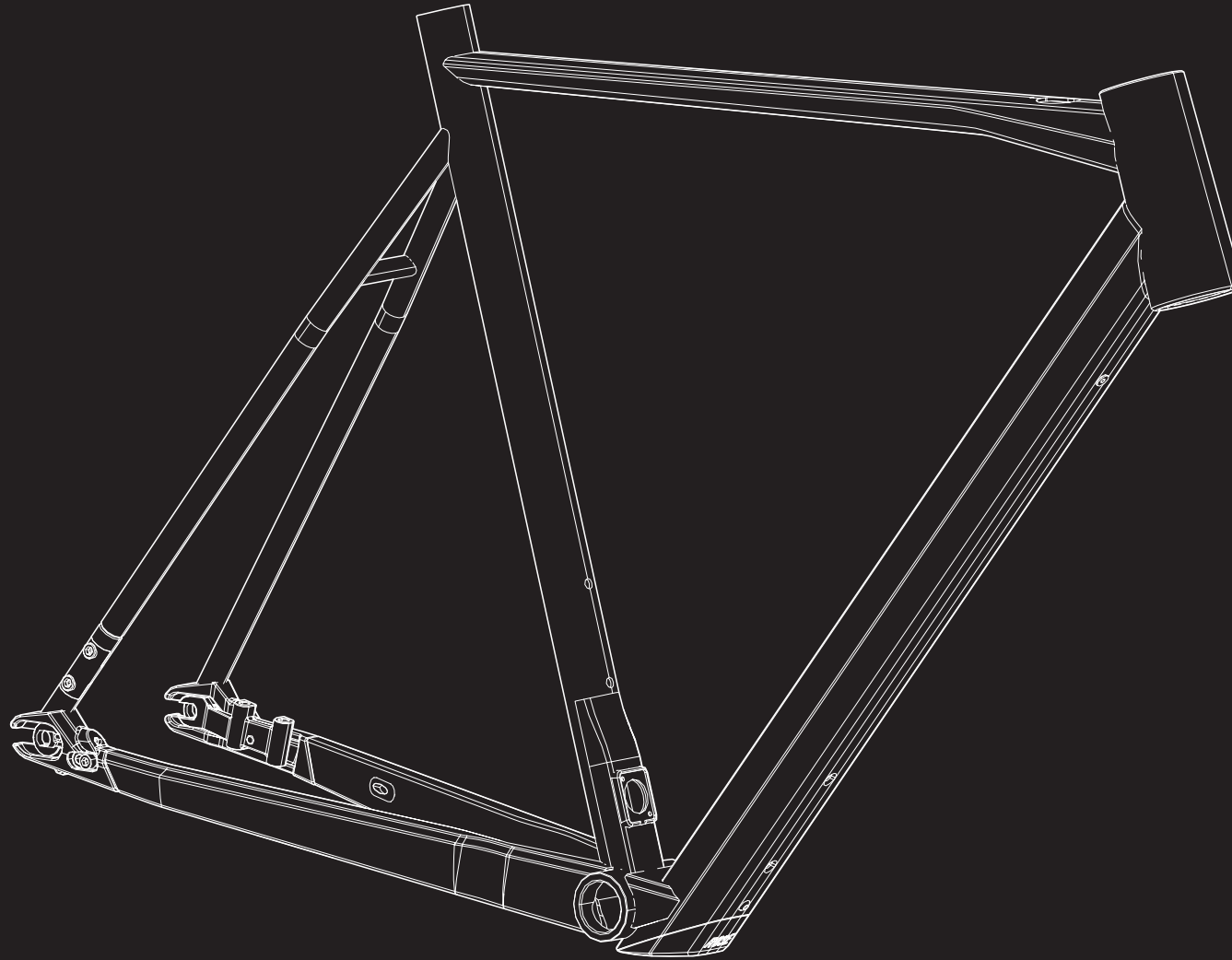


ROSE



ANY QUESTIONS?

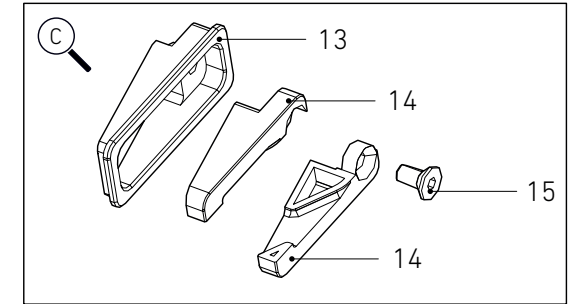
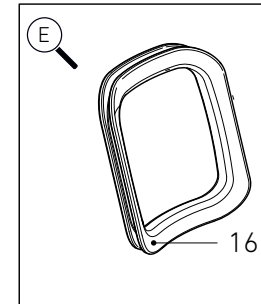
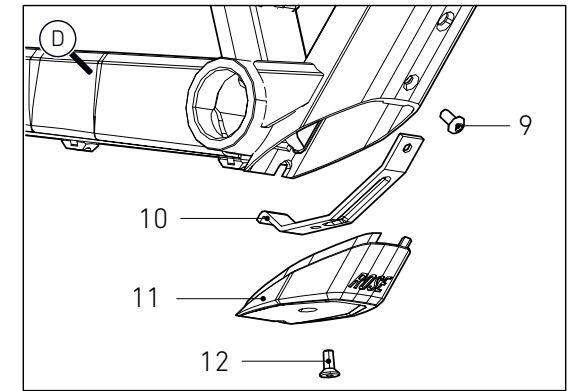
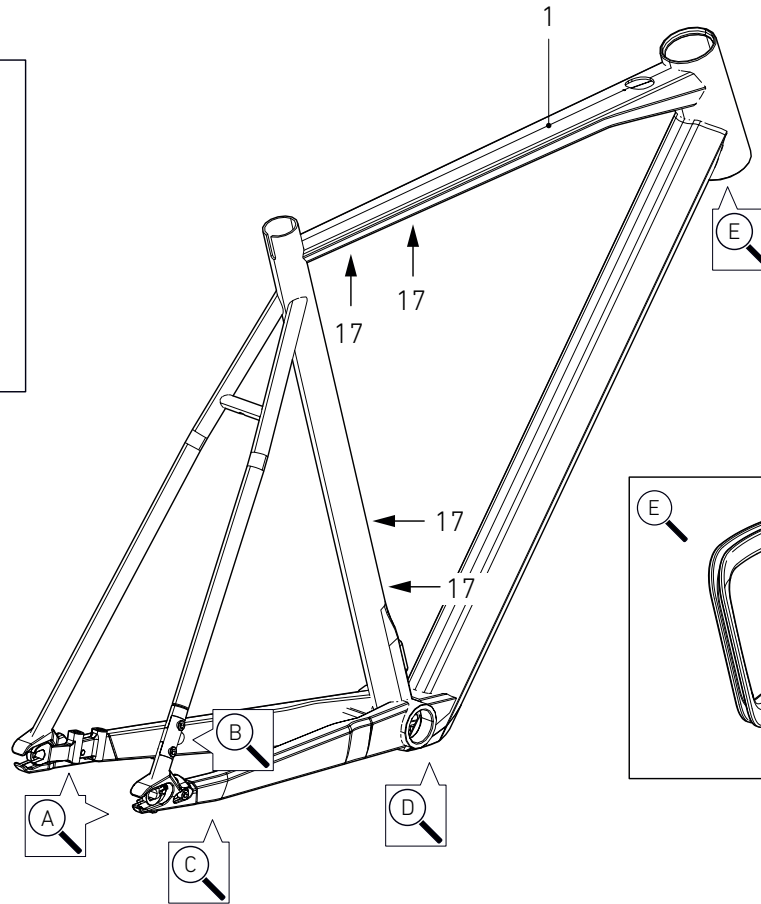
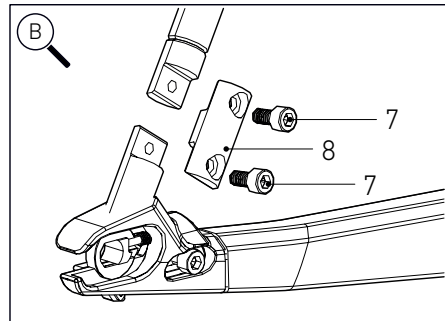
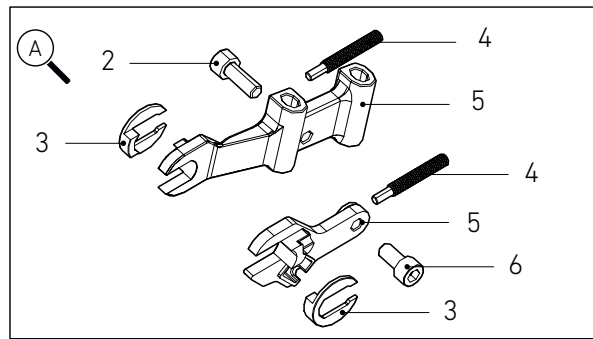
technik@rosebikes.com

ROSE Bikes GmbH
Schersweide 4
46395 Bocholt, Germany

SNEAK+

FRAME DETAILS

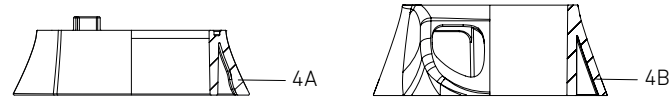
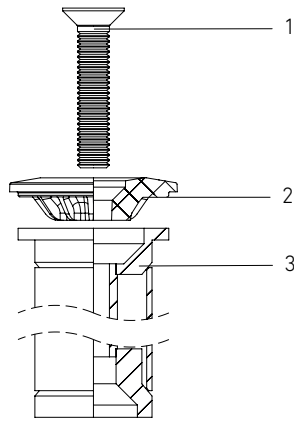
SNEAK+ FRAME DETAILS



POS.	DESCRIPTION	SPECIFICATIONS	ART. NR.
1	frame	black white	2305913 2305914
2	dropout fixing screw nds	M6x15mm	232899501
3	axle guide plate	2 pcs.	232899901
4	horizontal setting screw	2 pcs.	232899701
5	dropouts	set drive side + non drive side	232895901
6	dropout fixing screw ds	M6x12mm	232899201
7	splitter bolt	M5x12mm, 2 pcs.	232894701
8	splitter		232894401
9	bracket fixing screw	M5x10mm	232900901
10	bracket		232900701

POS.	DESCRIPTION	SPECIFICATIONS	ART. NR.
11	cover		232901201
12	cover fixing screw	M5x10mm	232901401
13	cable port		232900101
14	cable support		232900301
15	cable support fixing screw	M4x10mm	232900501
16	H/T rubber cable routing		232863501
17	gear bolt	4 pcs.	232901801
	rack adapter	2 pcs.	232895001
	rack adapter fixing screw	M5x10mm, 2 pcs.	232895501

SNEAK+ FRAME DETAILS



HEADSET DETAILS

HEADSET ART. NR. 2294845

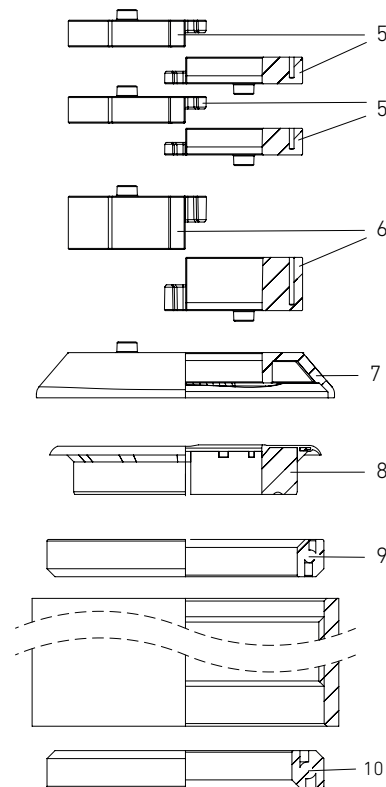
1	countersunk head screw	DIN7991, M6 X 30 mm
2	top cap	
3	compression expander	
4A	top cover	for external cable routing
5	spacer	different heights available*1
6	spacer	different heights available*1
7	headtube cover	8.5 mm
8	compression ring	Ø1 1/8"
9	upper bearing	42 x 52 x 7 mm
10	lower bearing	40 x 52 x 7 mm, R1

*1 choose art. nr. 2299264

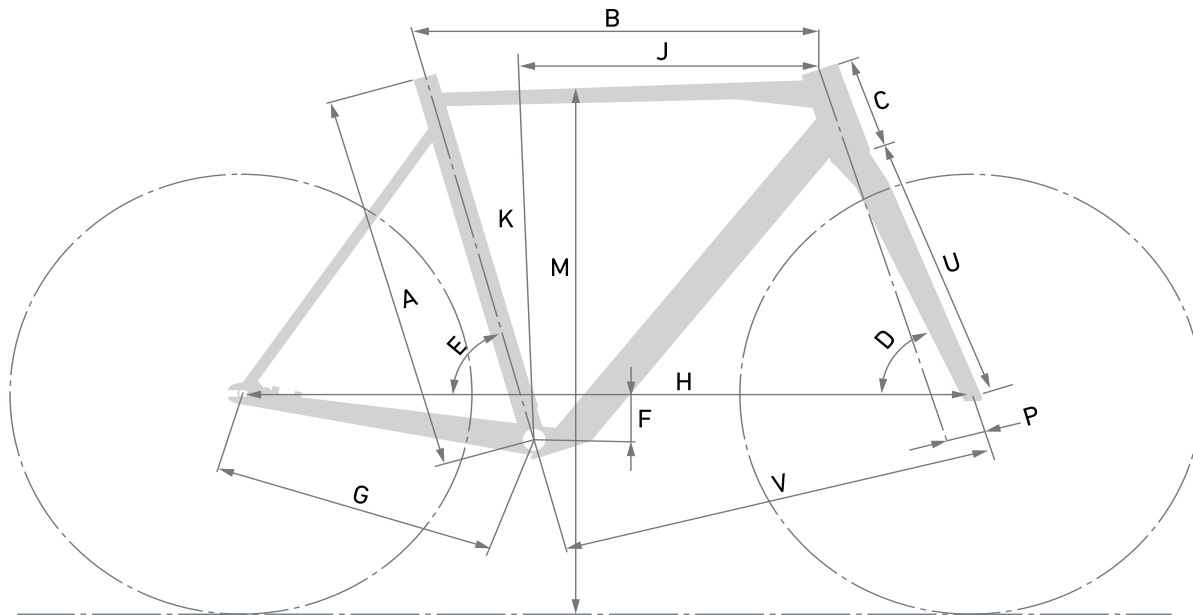
HEADSET ART. NR. 2303006

1	countersunk head screw	DIN7991, M6 X 30 mm
2	top cap	
3	compression expander	
4B	top cover	for internal cable routing
5	spacer	different heights available*2
6	spacer	different heights available*2
7	headtube cover	8.5 mm
8	compression ring	Ø1 1/8"
9	upper bearing	42 x 52 x 7 mm
10	lower bearing	40 x 52 x 7 mm, R1

*2 choose art. nr. 2303210



SNEAK+ FRAME DETAILS



FRAME GEOMETRY

		S / 50	M / 55	L / 60
SEATTUBE LENGTH [MM]	A	520	570	620
TOPTUBE LENGTH HORIZONTAL [MM]	B	566	585	610
HEAD TUBE LENGTH [MM]	C	130	155	180
HEAD TUBE ANGLE	D	71	71	71
SEAT TUBE ANGLE	E	74	74	74
BB DROP [MM]	F	72	72	72
REAR CENTER [MM] (CHAINSTAY LENGTH)	G	435,4	435,4	435,4
WHEELBASE [MM]	H	1052,6	1072,9	1099,3
REACH [MM]	J	405,5	417,7	435,9
STACK [MM]	K	559,7	583,4	607
STACK TO REACH RATIO	O	1,38	1,39	1,39
FORK LENGTH [MM]	U	404,2	404,2	404,2
FORK OFFSET [MM]	P	47	47	47

FRAME INTERFACES

REAR WHEEL AXLE	-
REAR BRAKE MOUNT	Flatmount 160 mm
MAX Ø DISC	160 mm only!
Ø SEATPOST	30.9 mm
MAX. TIRE SIZE	700Cx47, with mud guards 700Cx42
MAX. CHAINRING SIZE	1x 46T
FRONT DERAILLEUR MOUNT	no
BOTTLE CAGE	yes, 2x
REAR RACK MOUNT	no

FORK INTERFACES

FRONT WHEEL AXLE	12 x 100 mm: ROSE Art. Nr.: 227585701
FRONT BRAKE MOUNT	Flatmount 160 mm - 180 mm
MAX Ø DISC	180 mm
MAX. TIRE SIZE	700Cx47, with mud guards 700Cx42
LOWRIDER MOUNT	not compatible, please choose ROSE Gravel Cage, Art. Nr. 230033901
BOTTLE CAGE	yes, 2x

MAX SYSTEM WEIGHT (RIDER + BICYCLE + CLOTHING + GEAR + LUGGAGE): 120 KG
 INTENDED USE: DIN 17406 CATEGORY 2