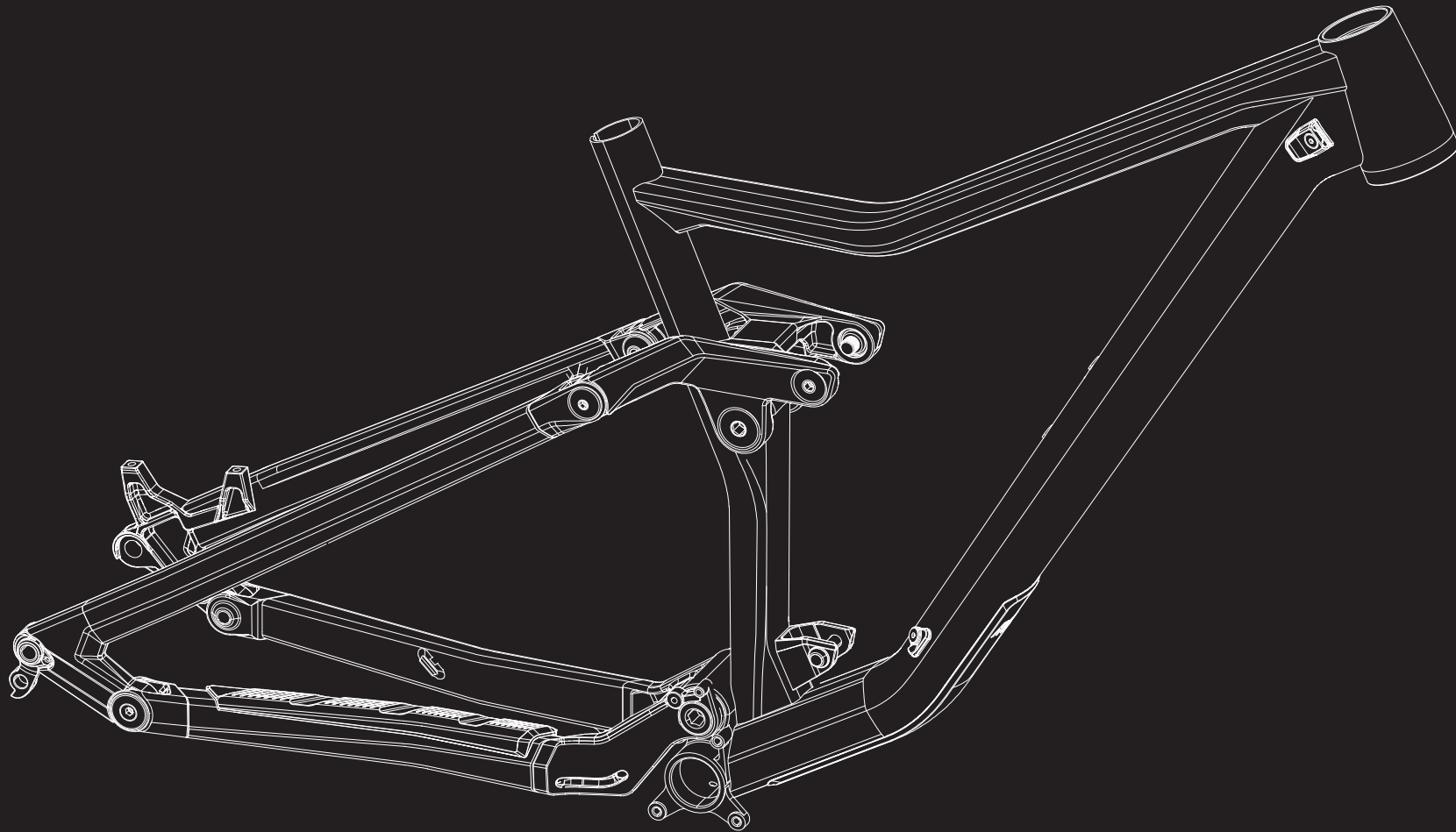


# *ROSE*



**ANY QUESTIONS?**

[technik@rosebikes.com](mailto:technik@rosebikes.com)

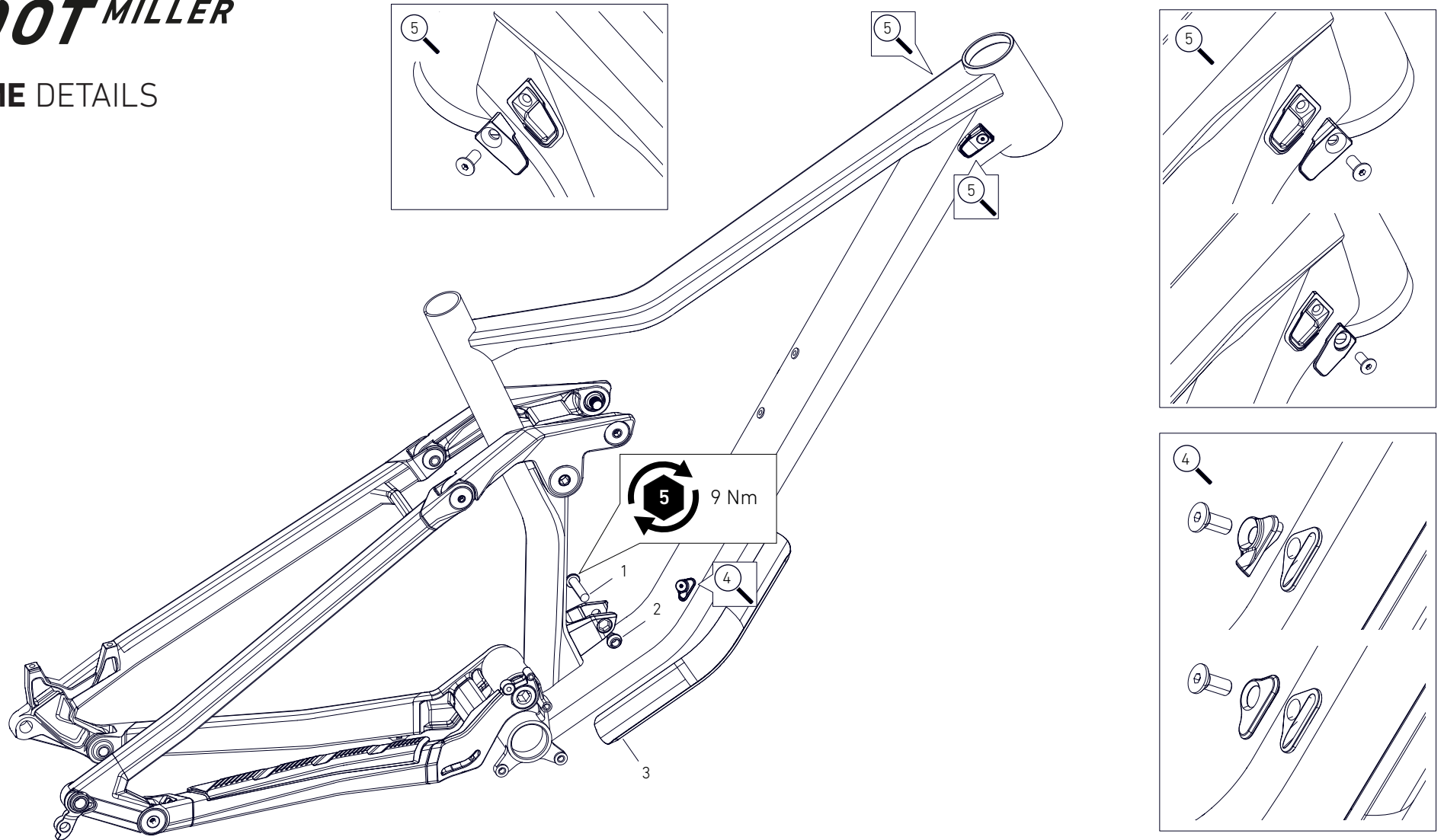
ROSE Bikes GmbH  
Schersweide 4  
46395 Bocholt, Germany

## *ROOT* MILLER

**FRAME DETAILS**  
MODELYEAR 2020

# ROOT MILLER

## FRAME DETAILS



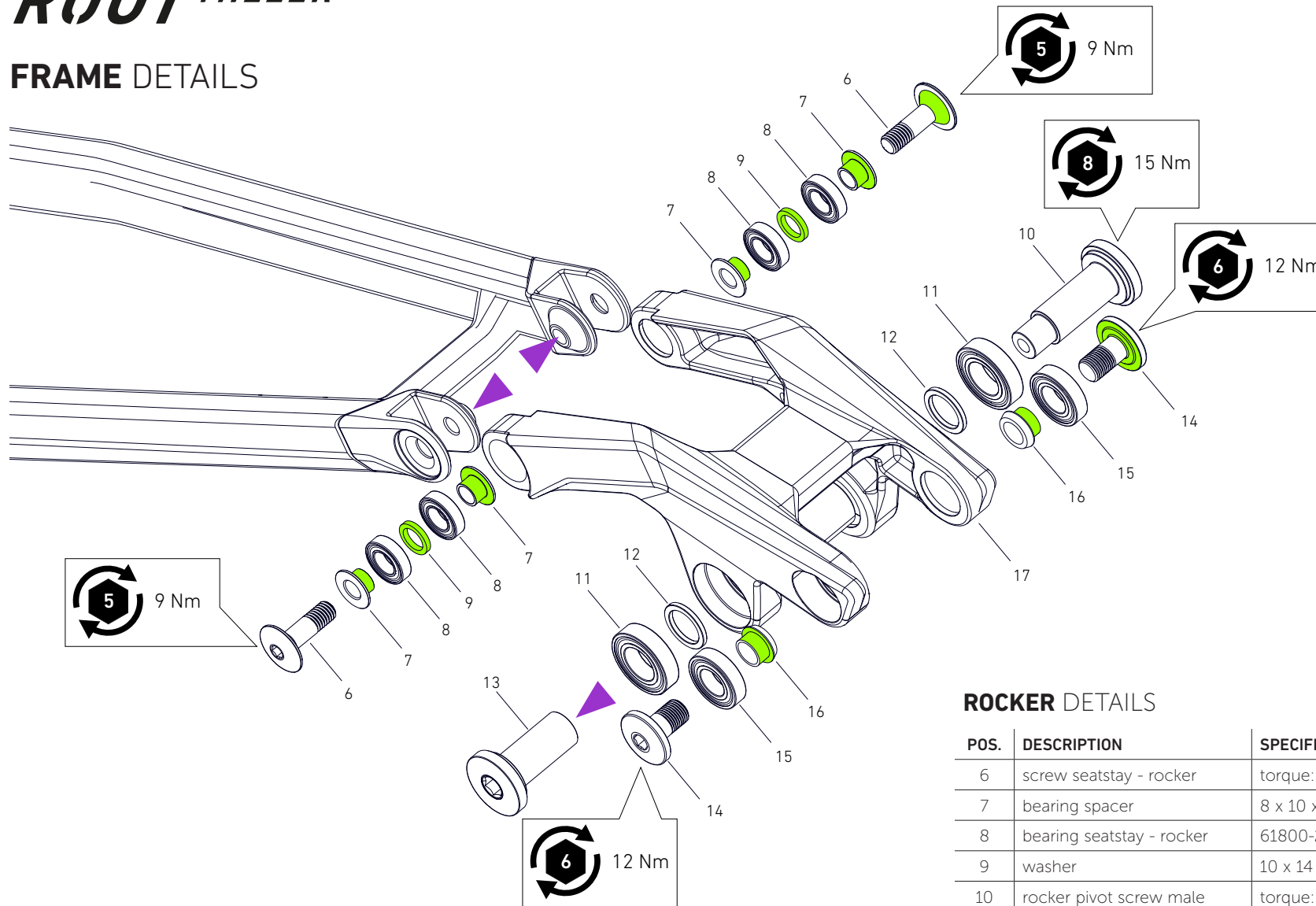
### MAIN FRAME DETAILS

POS.	DESCRIPTION	SPECIFICATIONS	ART. NR.
1	shock screw	M8 x 35 mm, torque: 9 Nm / tool: 5 mm hex	229968201
2	shock screw nut		2251949
	GREASE	DYNAMIC GALLI BEARING 100 g	49217800
		DYNAMIC GALLI BEARING 400 g	49217900
	THREADLOCKER	mid strength, for example Art. Nr. 1322431	

POS.	DESCRIPTION	SPECIFICATIONS	ART. NR.
3	frame protector downtube		2297692
4	cable inlet downtube	incl. fixing screw M5 x 12 mm	2251942
	blind cover	incl. fixing screw M5 x 12 mm	2251946
5	cable inlet headtube	incl. fixing screw M5 x 12 mm	2251724
	blind cover	incl. fixing screw M5 x 12 mm	2251945

# ROOT MILLER

## FRAME DETAILS



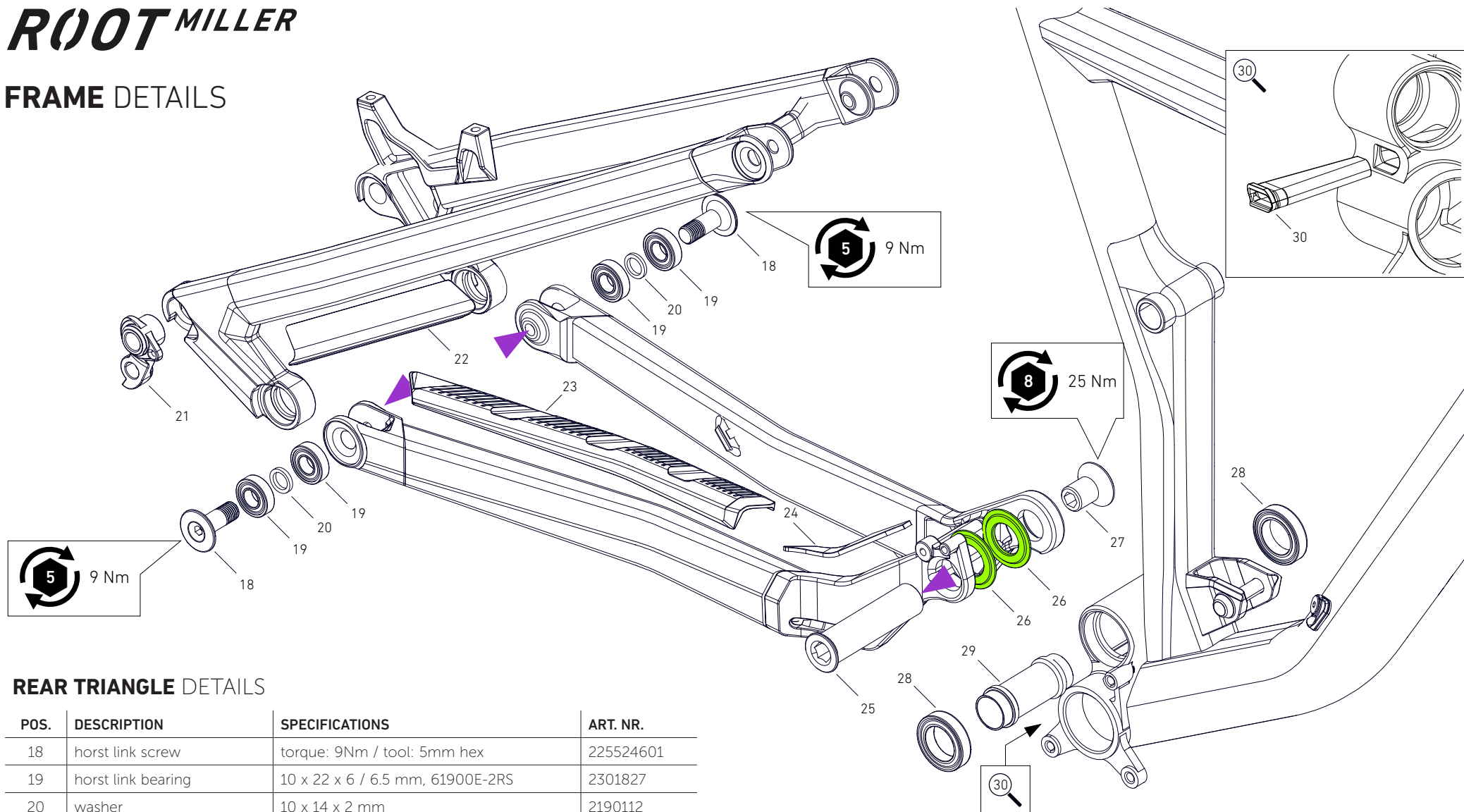
## ROCKER DETAILS

POS.	DESCRIPTION	SPECIFICATIONS	ART. NR.
6	screw seatstay - rocker	torque: 9 Nm / tool: 5 mm hex	225524801
7	bearing spacer	8 x 10 x 6.9 mm	1970681
8	bearing seatstay - rocker	61800-2RS1, 10 x 19 x 5 mm	2298583
9	washer	10 x 14 x 2 mm	2190112
10	rocker pivot screw male	torque: 15 Nm / tool: 8 mm hex	230189701
11	bearing rocker pivot	61902-2RS1, 15 x 28 x 7 mm	2298580
12	bearing spacer	15 x 20 x 2 mm	1970742
13	rocker pivot screw female	torque: 15 Nm / tool: 8mm hex	230189601
14	screw shock mount	torque: 12 Nm / tool: 6mm hex	225524701
15	bearing	61901-2RS1, 12 x 24 x 6 mm	2301825
16	bearing bushing	10 x 12 x 8.5 mm	225524101
17	rocker		2301895

GREASE	DYNAMIC GALLI BEARING 100 g	49217800
	DYNAMIC GALLI BEARING 400 g	49217900
THREADLOCKER	mid strength, for example Art. Nr. 1322431	

# ROOT MILLER

## FRAME DETAILS



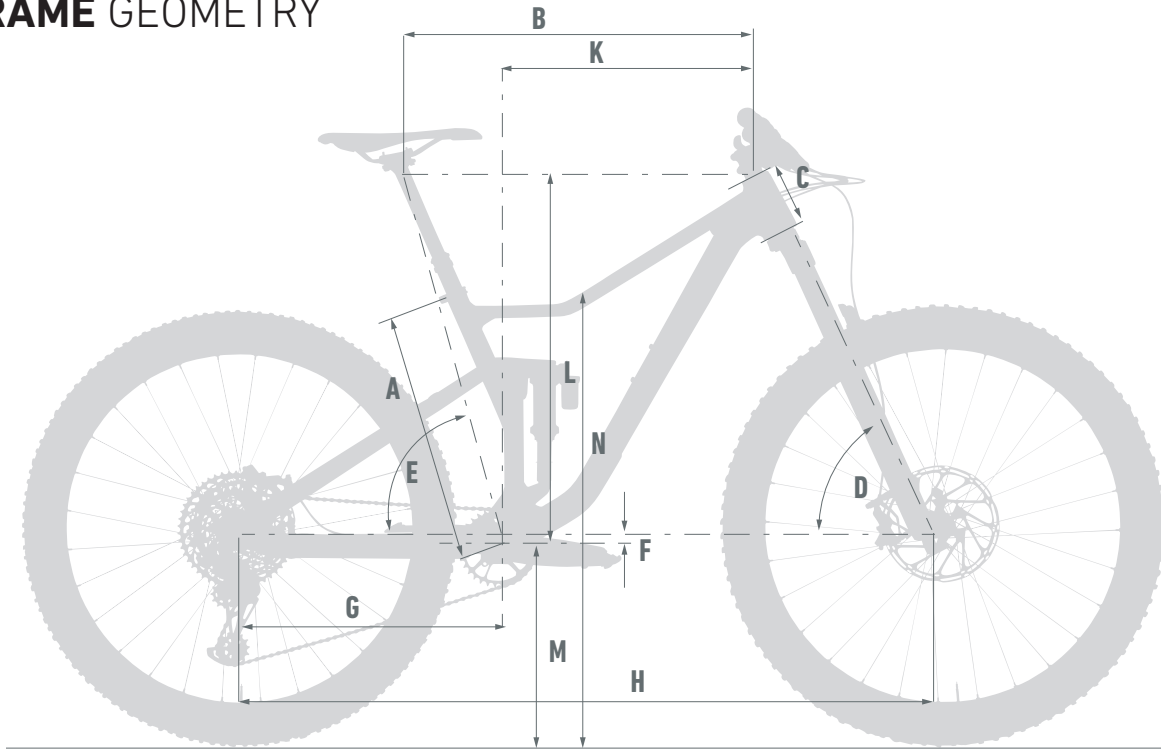
## REAR TRIANGLE DETAILS

POS.	DESCRIPTION	SPECIFICATIONS	ART. NR.
18	horst link screw	torque: 9Nm / tool: 5mm hex	225524601
19	horst link bearing	10 x 22 x 6 / 6.5 mm, 61900E-2RS	2301827
20	washer	10 x 14 x 2 mm	2190112
21	derailleur hanger	Rose No. 37, incl. fixing screw M3 x 12 mm	225194101
22	frame protection seatstay		2302245
23	frame protection chainstay		2297690
24	frame protection yoke		2300930
25	main pivot bolt		2251935
	GREASE	DYNAMIC GALLI BEARING 100 g	49217800
		DYNAMIC GALLI BEARING 400 g	49217900
	THREADLOCKER	mid strength, for example Art. Nr. 1322431	

POS.	DESCRIPTION	SPECIFICATIONS	ART. NR.
26	yoke spacer	18 x 33.5 x 2.5 mm	2251940
27	main pivot screw	torque: 25 Nm / tool: 8 mm hex	2251937
28	main pivot bearing	20 x 32 x 7 mm / 61804-2RS1	2301826
29	sleeve main pivot		225194001
30	BB sleeve		230340701

# ROOT MILLER

## FRAME GEOMETRY



## FRAME INTERFACES

<b>BOTTOM BRACKET</b>	BSA 73 mm
<b>HEADSET</b>	ZS 44 / 56
<b>REAR WHEEL AXLE</b>	length: 180 mm, M12 x 1.75, thread length: 20 mm e.g. DT Swiss RWS Boost Plug In axle, Art. Nr. 2269801
<b>SHOCK LENGTH X STROKE</b>	205 x 60 mm
<b>SHOCK HARDWARE</b>	Trunion Mount / Ø8 x 20 mm
<b>REAR BRAKE MOUNT</b>	PM 180
<b>MAX. Ø REAR BRAKE DISC</b>	203 mm
<b>Ø SEAT TUBE</b>	31.6 mm, internal dropper compatible
<b>Ø SEAT POST CLAMP</b>	36 mm, e.g. ROSE seat post clamp, Art. Nr. 226113801
<b>MAX. TIRE WIDTH</b>	2.6"
<b>WHEEL SIZE</b>	29"
<b>MAX. CHAINRING SIZE</b>	36 T
<b>ISCG</b>	ISCG 05
<b>REAR HUB SPACING</b>	Boost 12 x 148 mm

**MAX SYSTEM WEIGHT (RIDER + BICYCLE + CLOTHING + GEAR + LUGGAGE): 120 KG**

		SIZE S	SIZE M	SIZE L	SIZE XL
<b>SEAT TUBE LENGTH</b>	A	410	440	470	500
<b>TOP TUBE LENGTH</b>	B	565	592	621	650
<b>HEAD TUBE LENGTH</b>	C	95	100	110	120
<b>HEAD ANGLE</b>	D	66°			
<b>SEAT ANGLE EFFECTIVE</b>	E	76,6°	76,5°	76,4°	76,2°
<b>SEAT ANGLE REAL</b>		67			
<b>BB DROP</b>	F	28			
<b>CHAIN STAY LENGTH</b>	G	442			
<b>WHEEL BASE</b>	H	1176	1203	1232	1261
<b>REACH</b>	K	420	445	470	495
<b>STACK</b>	L	609	613	623	632
<b>BB HEIGHT</b>	M	348			
<b>STANDOVER HEIGHT</b>	N	737	758	761	765