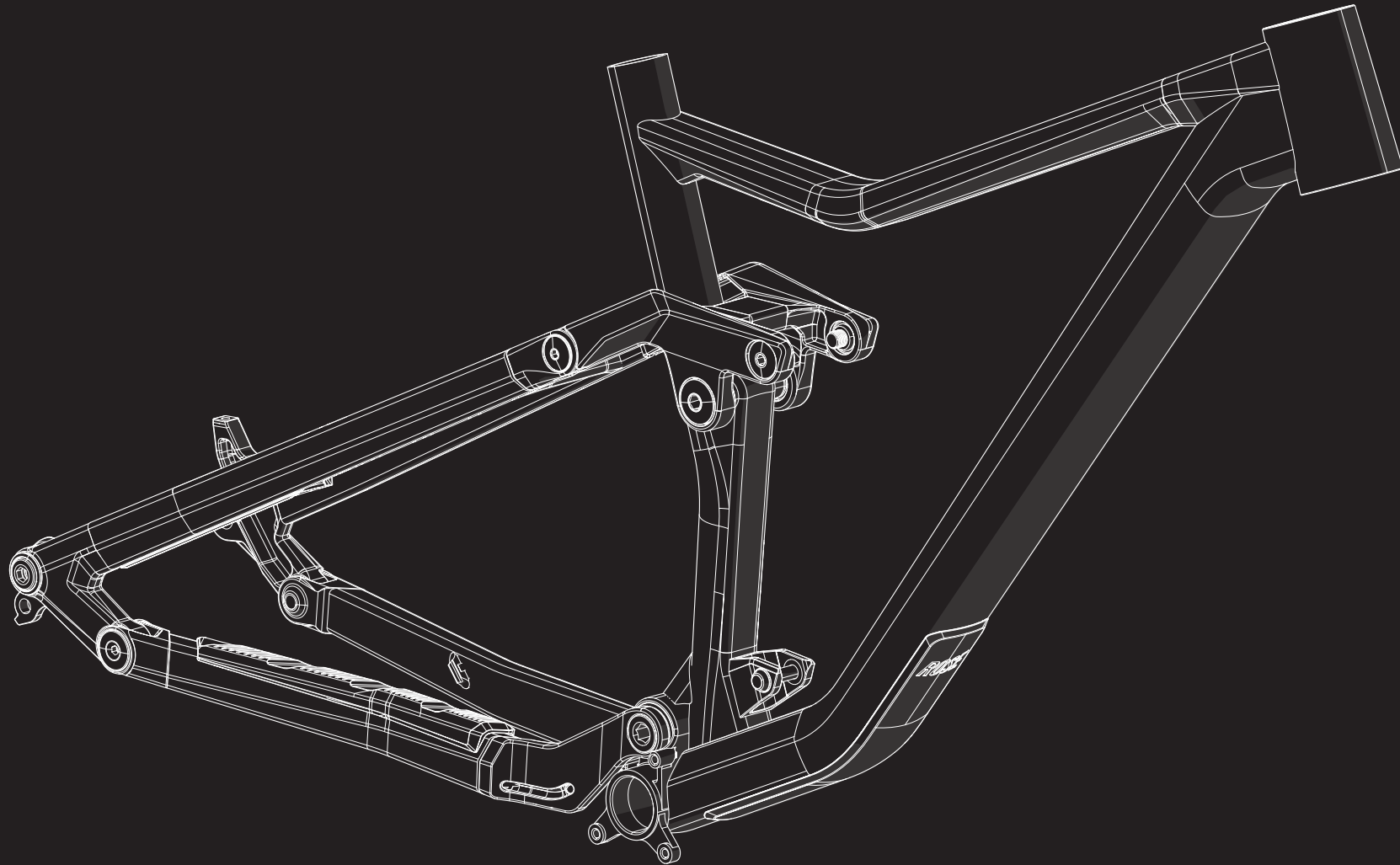


ROSE



ANY QUESTIONS?

technik@rosebikes.com

ROSE Bikes GmbH
Schersweide 4
46395 Bocholt, Germany

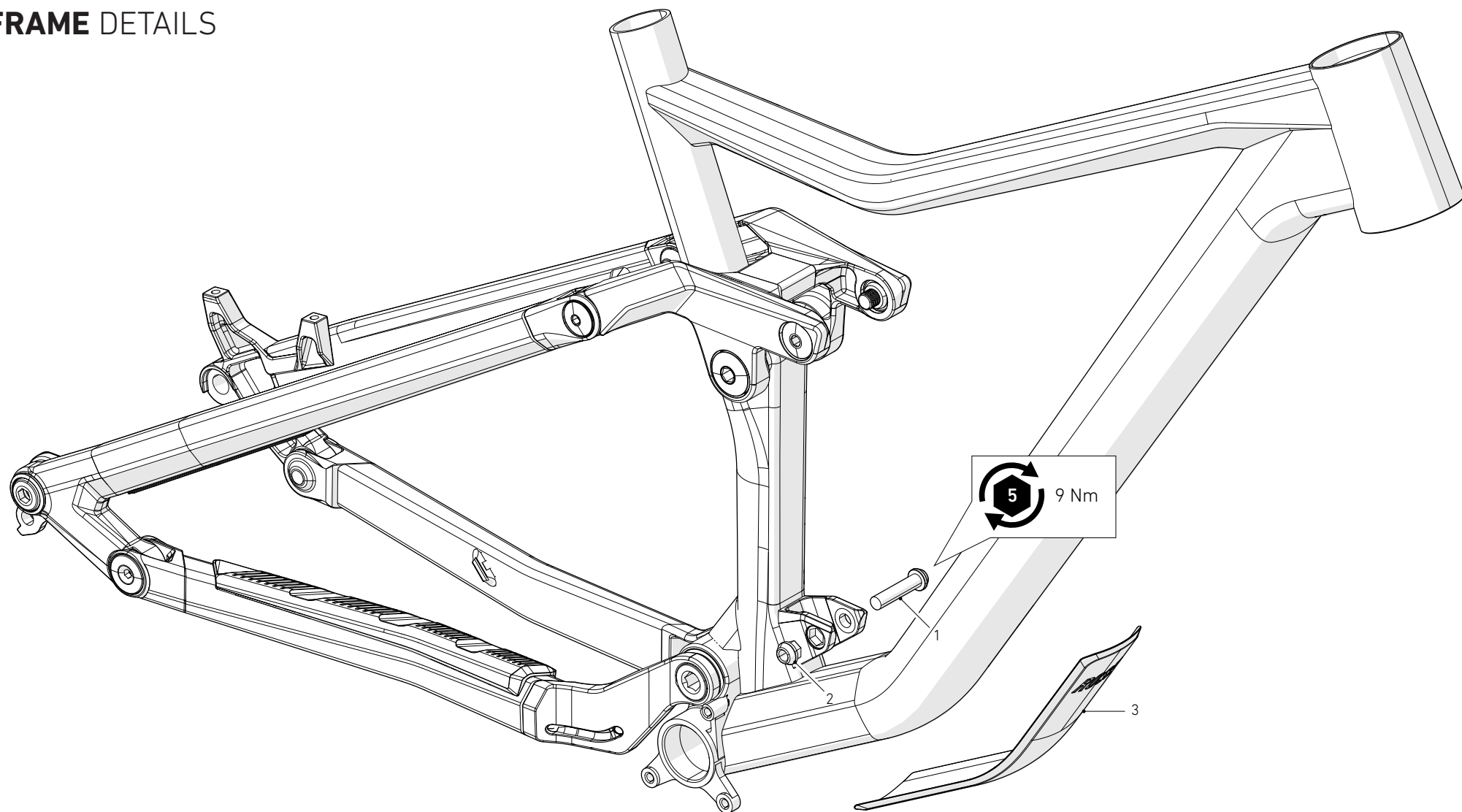
R O O T M I L L E R

FRAME DETAILS

MODELYEAR 2024+

ROOT MILLER

FRAME DETAILS

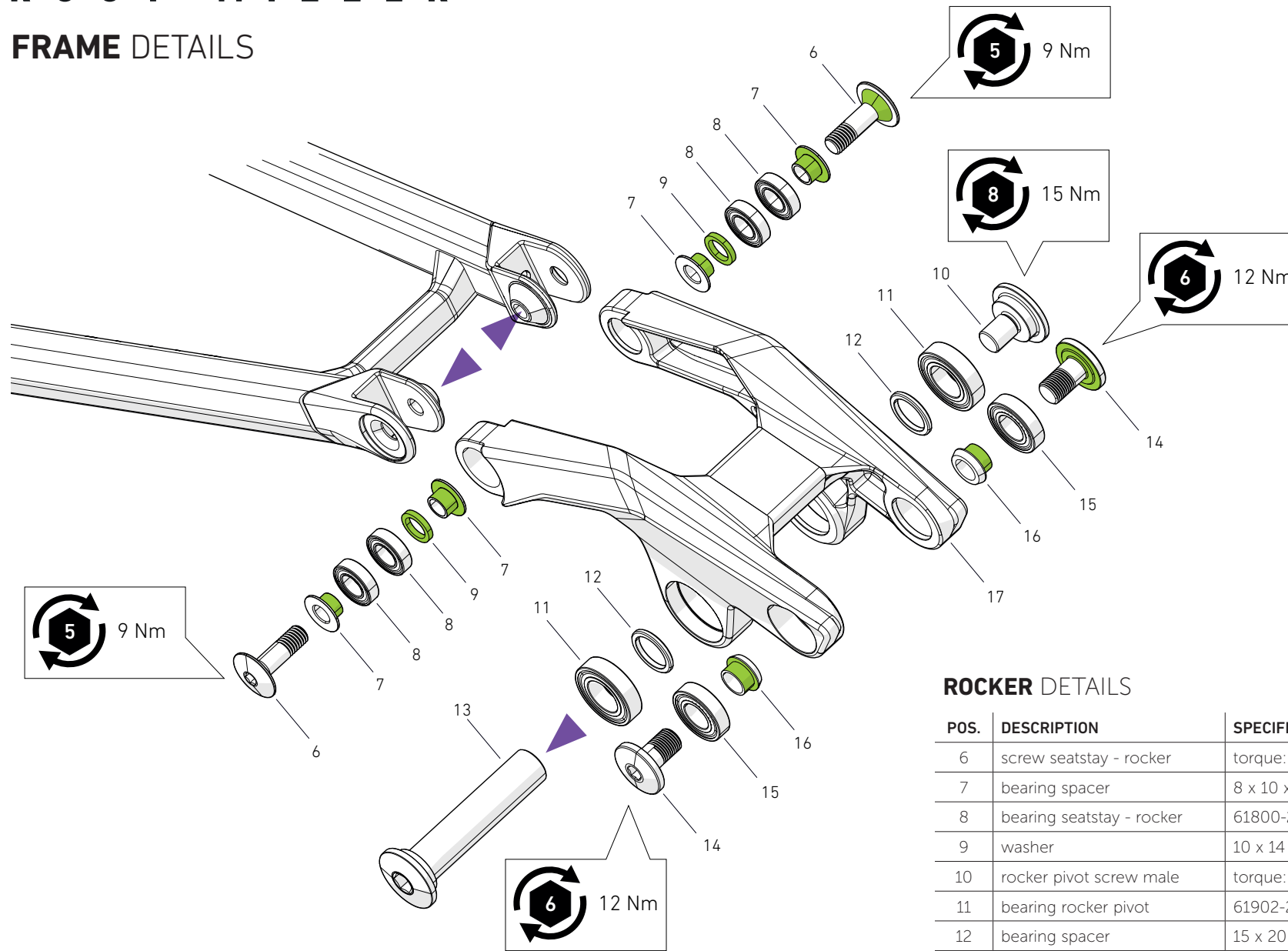


MAIN FRAME DETAILS

POS.	DESCRIPTION	SPECIFICATIONS	ART. NR.
1	shock screw	M8 x 35 mm, torque: 9 Nm / tool: 5 mm hex	229968201
2	shock screw nut		2251949
3	frame protector downtube		2297692

ROOT MILLER

FRAME DETAILS



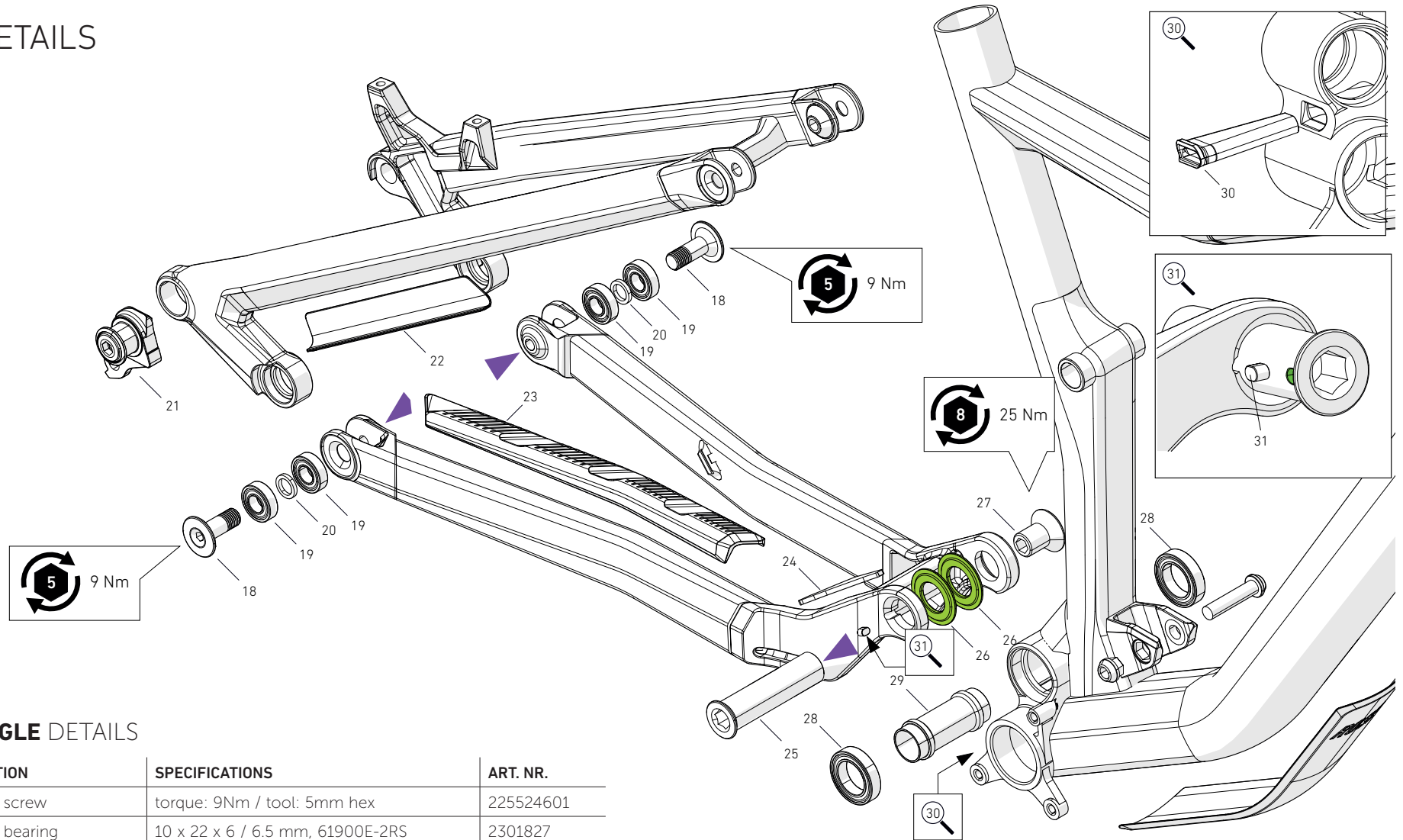
ROCKER DETAILS

POS.	DESCRIPTION	SPECIFICATIONS	ART. NR.
6	screw seatstay - rocker	torque: 9 Nm / tool: 5 mm hex	225524801
7	bearing spacer	8 x 10 x 6.9 mm	1970681
8	bearing seatstay - rocker	61800-2RS1, 10 x 19 x 5 mm	2298583
9	washer	10 x 14 x 2 mm	2190112
10	rocker pivot screw male	torque: 15 Nm / tool: 8 mm hex	230189701
11	bearing rocker pivot	61902-2RS1, 15 x 28 x 7 mm	2298580
12	bearing spacer	15 x 20 x 2 mm	1970742
13	rocker pivot screw female	torque: 15 Nm / tool: 8mm hex	230189601
14	screw shock mount	torque: 12 Nm / tool: 6mm hex	225524701
15	bearing	61901-2RS1, 12 x 24 x 6 mm	2301825
16	bearing bushing	10 x 12 x 8.5 mm	225524101
17	rocker		2301895

	GREASE	Motorex Bike Grease 2000 100 g	49208600
	THREADLOCKER	mid strength, for example Art. Nr. 1322431	

ROOT MILLER

FRAME DETAILS



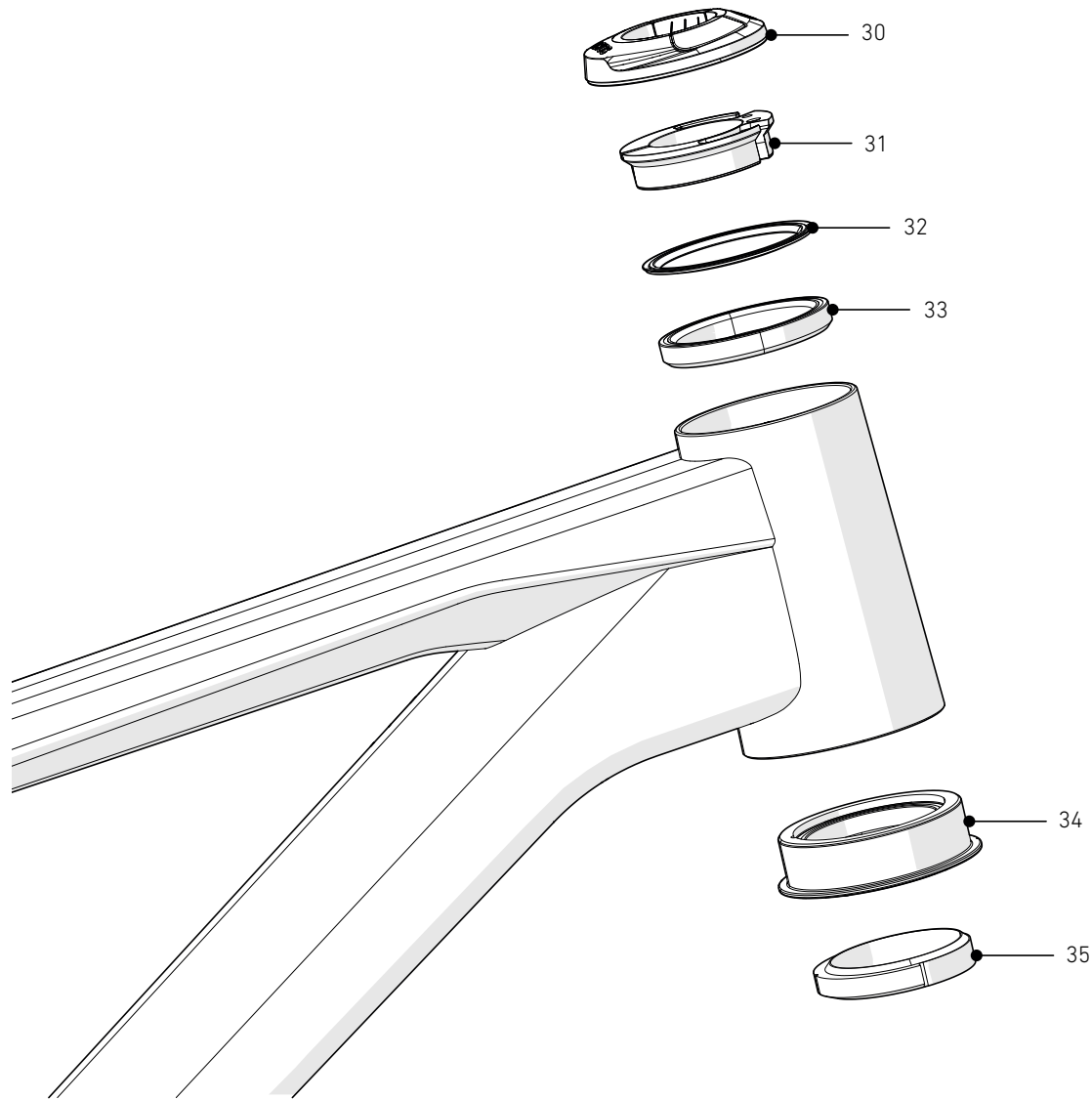
REAR TRIANGLE DETAILS

POS.	DESCRIPTION	SPECIFICATIONS	ART. NR.
18	horst link screw	torque: 9Nm / tool: 5mm hex	225524601
19	horst link bearing	10 x 22 x 6 / 6.5 mm, 61900E-2RS	2301827
20	washer	10 x 14 x 2 mm	2190112
21	derailleur hanger	Sram UDH	230116501
22	frame protection seatstay		2302245
23	frame protection chainstay		2297690
24	frame protection yoke		2300930
25	main pivot bolt		2251935
	GREASE	Motorex Bike Grease 2000 100 g	49208600
	THREADLOCKER	mid strength, for example Art. Nr. 1322431	

POS.	DESCRIPTION	SPECIFICATIONS	ART. NR.
26	yoke spacer	18 x 33.5 x 2.5 mm	2251940
27	main pivot screw	torque: 25 Nm / tool: 8 mm hex	2251937
28	main pivot bearing	20 x 32 x 7 mm / 61804-2RS1	2301826
29	sleeve main pivot		225194001
30	BB sleeve		230340701
31	feather key		225048701

ROOT MILLER

FRAME DETAILS

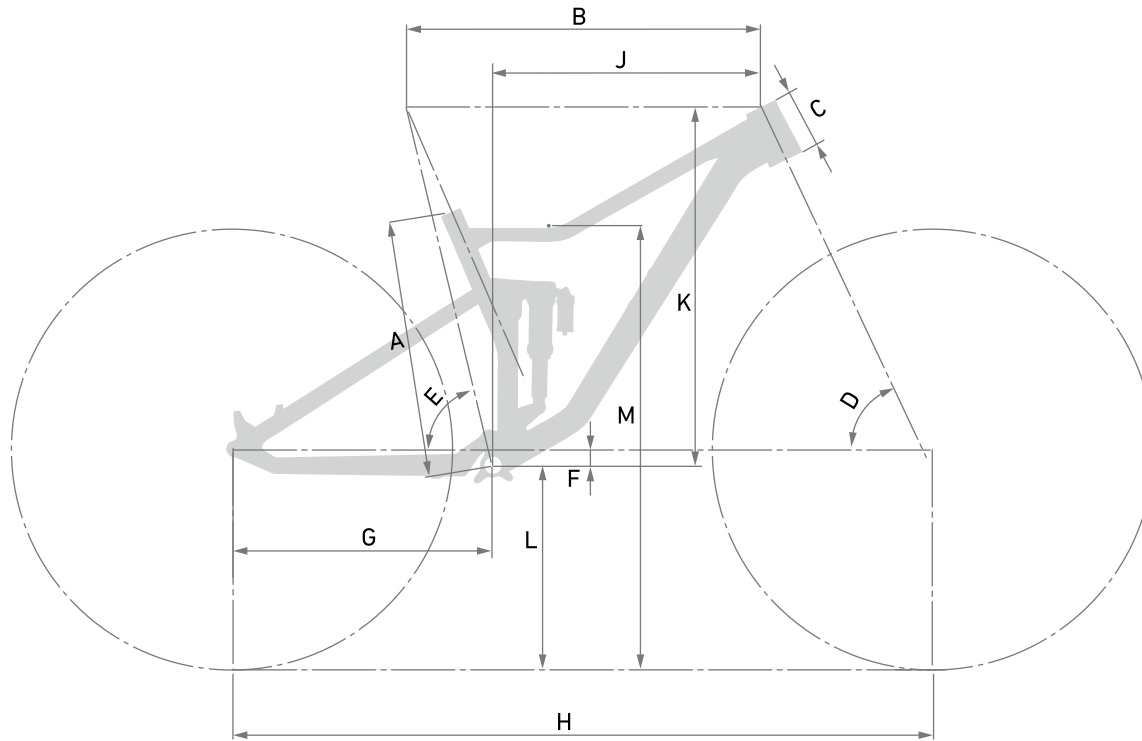


HEADSET DETAILS

POS.	DESCRIPTION	SPECIFICATIONS	ART. NR.
30	headtube cover		233392001
31	compression ring		
32	headset sealing		
33	upper bearing		
34	lower cup	block lock	
35	crown race	block lock	

ROOT MILLER

FRAME DETAILS



		SIZE S	SIZE M	SIZE L	SIZE XL
SEAT TUBE LENGTH	A	410	440	470	500
TOP TUBE LENGTH	B	581	608	637	665
HEAD TUBE LENGTH	C	95	100	110	120
HEAD ANGLE	D	64	64	64	64
SEAT ANGLE EFFECTIVE	E	76,6	76,5	76,3	76,2
BB DROP	F	28	28	28	28
CHAIN STAY LENGTH	G	442	442	442	442
WHEEL BASE	H	1210	1237	1266	1295
REACH	J	435	460	485	510
STACK	K	610	614	623	633
BB HEIGHT	L	348	348	348	348
STANDOVER HEIGHT	M	734	756	759	759

FRAME INTERFACES

BOTTOM BRACKET	BSA 73 mm
HEADSET	IS42 / ZS56
REAR WHEEL AXLE	180 mm, M12x1.0, thread length: 13 mm Art. Nr.: 230185901 - Sram Maxle Stealth
SHOCK LENGTH X STROKE	205 x 60 mm
SHOCK HARDWARE	Trunnion Mount / Ø8 x 20 mm
REAR BRAKE MOUNT	PM 180
MAX. Ø REAR BRAKE DISC	203 mm
Ø SEAT TUBE	31.6 mm, internal dropper compatible
Ø SEAT POST CLAMP	36 mm, e.g. ROSE seat post clamp, Art. Nr. 226113801
MAX. TIRE WIDTH	2.6"
WHEEL SIZE	29"
MAX. CHAINRING SIZE	36 T
ISCG	ISCG 05
REAR HUB SPACING	Boost 12 x 148 mm

MAX SYSTEM WEIGHT (RIDER + BICYCLE + CLOTHING + GEAR + LUGGAGE): 120 KG
INTENDED USE (DIN 17406): CATEGORY 4